

## DH-CA-DBW481B

---

### 700TVL Day/Night Vandal-proof IR Dome Camera



#### Features

- 1/3" SONY EXview HAD CCD II & Effio-E DSP
- High resolution of 700TVL
- DWDR, Day/Night(ICR), Auto iris, AWB, AGC, BLC, MD, Privacy Masking, Picture Adjustment
- 2.8~12mm vari-focal lens
- Max. IR LEDs length 20m, Smart IR
- OSD, IP66, IK10, DC12V(-A model: DC12V/AC24V dual power supply)

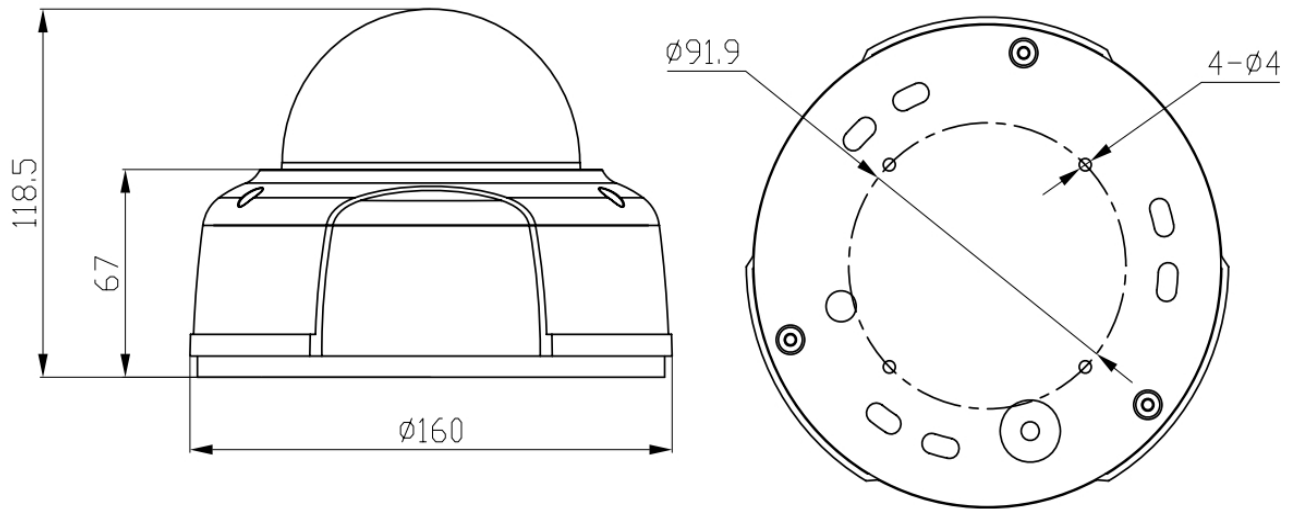
# DH-CA-DBW481B

## Technical Specifications

Model	DH-CA-DBW481BP(-A)	DH-CA-DBW481BN(-A)
<b>Camera</b>		
Image Sensor	1/3" SONY EXview HAD CCD II	
Effective Pixels	976(H)×582(V), 570K pixels	976(H)×494(V), 480K pixels
Horizontal Resolution	700TVL	
Electronic Shutter	1/50s~1/100,000s	1/60s~1/100,000s
Synchronization	Internal	
Min. Illumination	0.005Lux@F1.2(AGC ON), 0Lux IR on	
S/N Ratio	> 65dB	
Video Output	1Vp-p Composite Output (75Ω/BNC)	
<b>Camera Features</b>		
Max. IR LEDs Length	20m, Smart IR	
OSD	English, Chinese, French, German, Russian, Spanish, Portuguese, Japanese	
Day/Night	Auto(ICR) / Color / B/W	
Backlight Compensation	BLC / HLC / DWDR	
White Balance	Auto Trace WB1 / Auto Trace WB2 / Manual / Auto	
Gain Control	Auto / Manual	
Noise Reduction	2D	
Privacy Masking	Up to 4 areas	
Picture Adjustment	Mirror / Brightness / Contrast / Sharpness / Hue / Gain	
<b>Lens</b>		
Focal Length	2.8~12mm	
Angle of View	H: 90° ~28°	
Focus Type	Manual	
Lens Type	Manual / Auto iris	
Mount Type	Φ14	
<b>Auxiliary Interface</b>		
RS485	1 port	
<b>General</b>		
Power Supply	DC12V±10% (-A model: DC12V/AC24V dual power supply)	
Power Consumption	Max 4W	
Working Environment	-30°C~+60°C / 20%~80%RH	
Ingress Protection	IP66 & IK10	
Dimensions	Φ160mm×118.5mm	
Weight	0.98kg (-A: 1kg)	

# DH-CA-DBW481B

## Dimensions (mm)



## Accessories (optional)

				
PFB201W	PFA101	PFB302S	PFB300C	PFA150
				
PFA151	PFA152			

### Dahua Technology Co., Ltd.

1187 BinAn Road, Binjiang District, Hangzhou, China

Tel: +86-571-87688883

Fax: +86-571-87688815

Email: [overseas@dahuatech.com](mailto:overseas@dahuatech.com)

[www.dahuatech.com](http://www.dahuatech.com)

\*Design and specifications are subject to change without notice.

© 2013 Dahua Technology Co., Ltd.